

*Ethernet
Windows 2000
Spring 2003*



Information Technology
Residential Computing

***Ethernet Guide for
Windows 2000***

On Campus Access

LSSU Dormitories have Ethernet access. As of the time of this printing, if the current proposal for room and board fees passes, there is no charge for the service. All dormitory rooms have at least one data port, and may use an Ethernet card to access the internet 24X7.

Use of the LSSU network implies an agreement to the LSSU Acceptable Use policy, signed by LSSU Housing Residents at Check-in.

To access the Internet via our network:

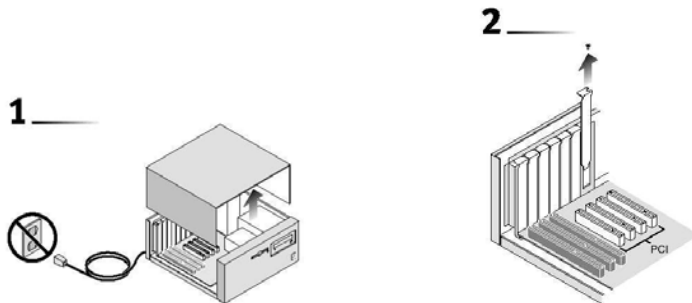
1. Determine whether you need to purchase any hardware (i.e. Ethernet card, Ethernet cable) to use the service
2. Purchase any hardware you may need. Cards, hubs, and patch cables are available at the Campus Shoppe.
3. Use the information in this guide to configure your machine.

WINDOWS 2000 Setup

3Com Fast Etherlink 10/100BASETX (3C905B)

Installation Instructions

These illustrations show how to install the NIC in your PC and connect to the network.



Part Two - Obtaining Networking Software for your Computer

Although the most recent versions of the Microsoft Windows come bundled with Internet software, we recommend that you obtain the collection of Internet software recommended by IT. To download these applications:

- Ws_FTP (Free Academic Version)
- Adobe Acrobat Reader
- Tera Term

Open Internet Explorer by pressing the start button, then choosing “Programs”, “Accessories”, ”Internet Tools”, and “Internet Explorer”.

In the location box, type:

<http://it.lssu.edu>

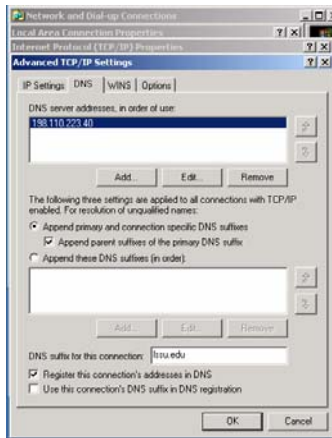
Click on the Free Software link in the site map.

RESOURCES

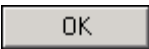
IT will open a Residential Network Configuration Center during the first month of the Academic Year. This center is available for you to bring your computer for configuration. Locations and times will be announced in the fall. Call x6677 for details.

If you believe there is a problem with your line itself, call the IT HelpDesk at x6677 with a detailed description of your problem. Don't forget to give your name and room number. A technician will come to your room and check your line. Any regular maintenance work done on the Ethernet line, port, or network infrastructure will be done free of charge. We do not configure computers.

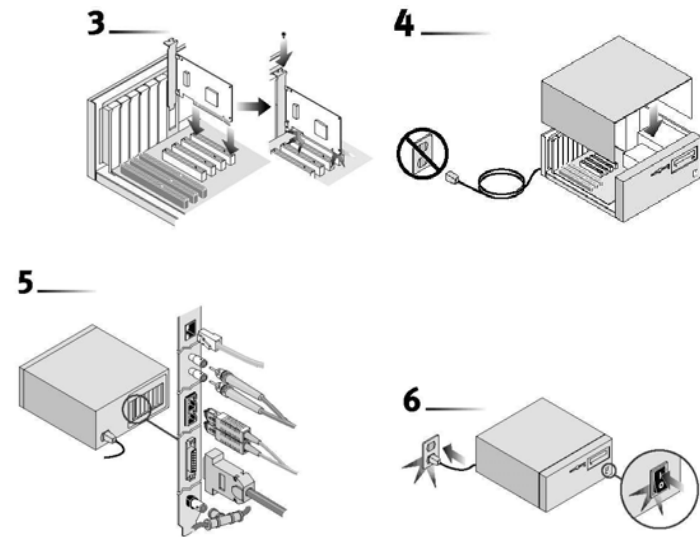
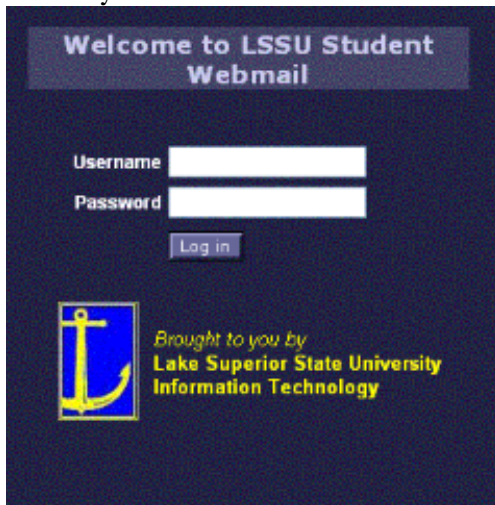
LSSU does not provide support for privately owned computers. We are happy to give you advice regarding your configuration, but liability prevents us from working on personal machines. Configuration of personal computers is the owners' responsibility, and LSSU is not responsible for any damage caused during configuration. Any advice received from the LSSU HelpDesk should be followed with this in mind.



Put **LSSU.EDU** in the "DNS suffix for this connection:"

Now, just click  on all of the windows until you are asked to reboot.

Once you reboot you should be able to browse the Internet.



The next step is to install the software.

Installing the Network Driver

This section describes how to set up your system environment when installing the NIC in a Windows 2000 PC that has a Plug and play BIOS installed.

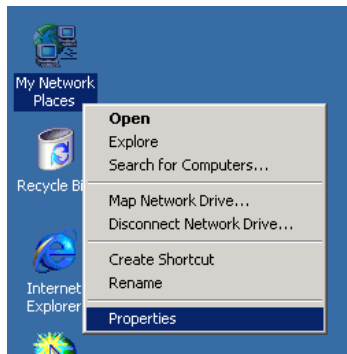
- 1** Turn the power on and boot Windows 2000. The New Hardware Found screen appears. The Update Device Driver Wizard then displays.
- 2** If you have Windows 2000 on CD ROM, place this in your CD ROM.
- 3** When the Wizard asks, "Do you want Windows to search for the drivers?" Click "Yes."
- 4** If Windows has trouble locating the drivers, type:

D:\winnt (where d: is the letter assigned to your CD ROM drive)

And Click OK.

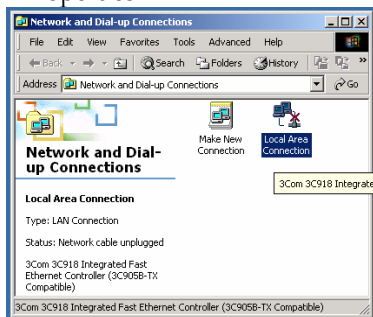
Now your computer will build a driver database and prompt you to restart the computer. Do so at this time. When the computer is restarted, you are ready to setup your Ethernet card.

Configuring your Windows 2000 Computer for Ethernet:

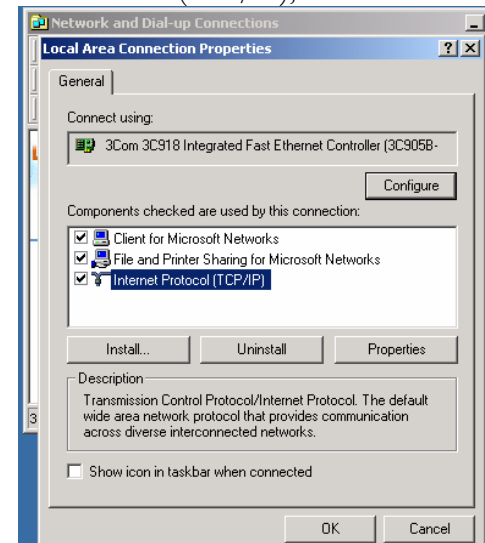


Once you have completed the instructions in the 3Com installation guide, you need to configure your computer for our network.

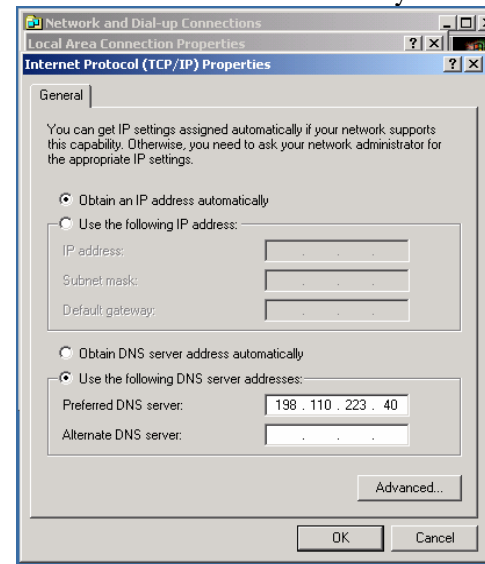
To do this, right click on the desktop icon that reads "Network Neighborhood", and choose "Properties". Next, Highlight "Local Area Connection", and right click "Properties":



Click on Internet Protocol (TCP/IP), and click on Properties.



Select "Obtain an IP address automatically"



Select "Use the following DNS server addresses:" and put 198.110.223.40 in the "Preferred DNS server:" Then click on "Advanced..."